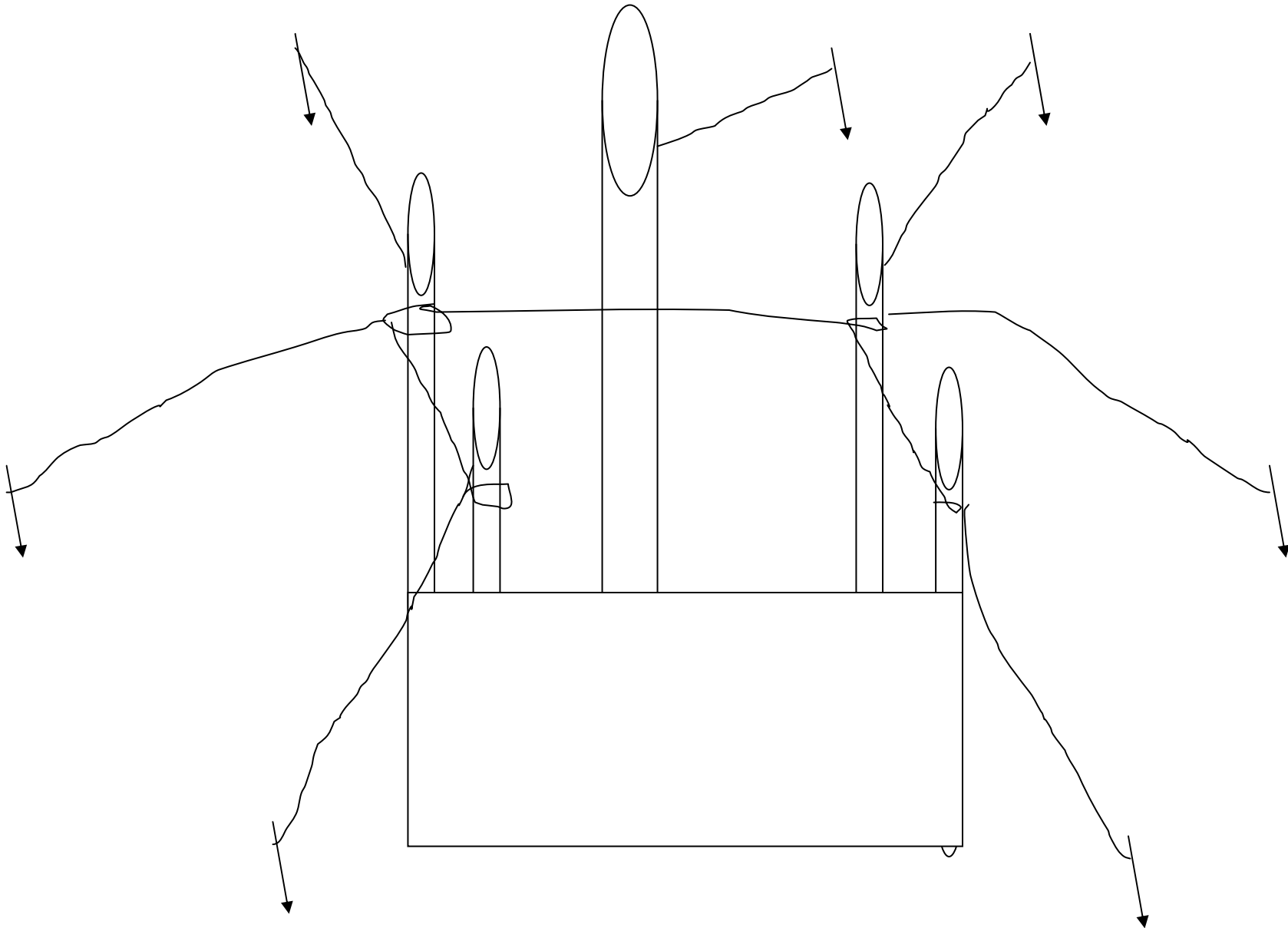
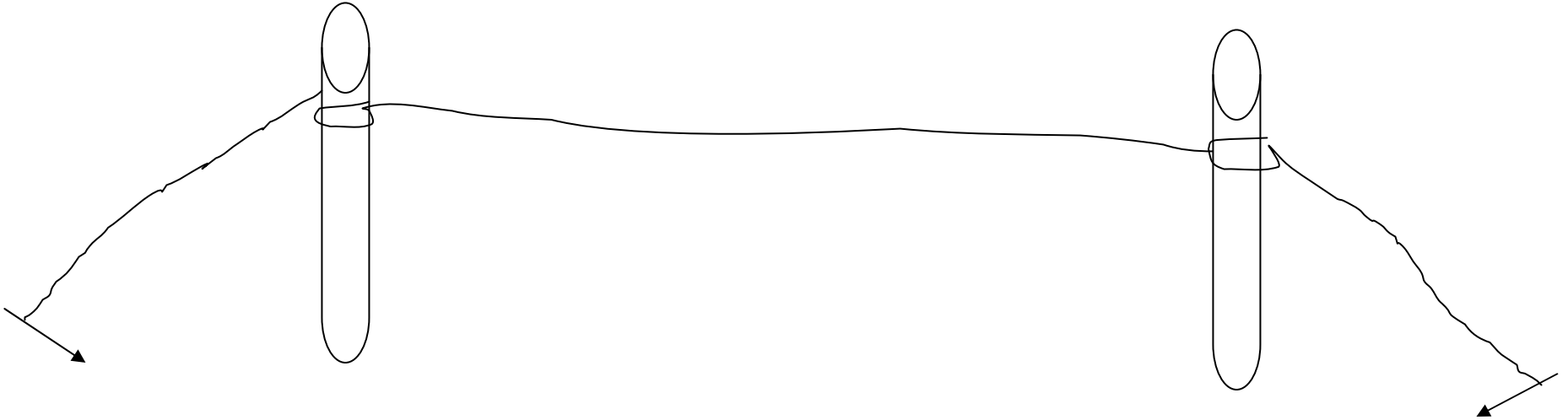


Top view -

class 2 center pole holds zipline, 4 other poles hold safety  
guy wire 6 feet above platform



(2) class 2 poles from point A to point B. 6 feet deep and 35 foot tall. anchors are 30 feet out and 30 feet high. 5/16 wire rope (galvanized cable) with 3 u clamps at each end. zipline is 250 feet long with a 30 feet bungee block and a stop block.



Tower / platform is 10 x 10 and 20 feet high. class 5 poles, metal stairs with 42" handrails and sides covered with expanded metal. Anchors are going east, west, north and south. safety guy wires run along 3 sides at top of poles.

